

बैठक

आज दिनांक 07.10.23 रा.पहर 03:00 बजे महाविद्यालय
कांफ्रेंस हॉल में रिसर्च रुडवायजरी समिति की
बैठक आयोजित की गई। जिसमें निम्न सदस्य
उपस्थित रहे

Dr. Kiran Gajpal, Chairperson, Principal

Dr. Amitabh Banerjee, Principal, Govt Coll. Ex. Mem.

Dr. Namita Bhambe, Professor, Pt. R.S.U. Ex. Mem.

Dr. L.S. Gajpal, Professor, Pt. R.S.U. Sub. Exp.

Dr. Asti Parganika, Professor, Pt. R.S.U. Sub. Exp.

Dr. Kavita Tapadia, Asso. Prof., NIT, Sub. Exp.

7-10-23

7-10-23

7-10-23

7-10-23

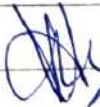
7-10-23


7-10-23

- महाविद्यालय द्वारा नवाचार के रूप में उत्तरांश की गई रिसर्च परियोजना पर प्राचार्य महोदय द्वारा जानकारी दी गई।
- समिति के समक्ष निम्न प्रोजेक्ट इन्वेस्टिगेटर ने अपनी शोध परियोजना का प्रस्तुतिकरण किया।
 - डॉ. श्यामबाबू सिंह, स. प्रा. रसायन शास्त्र
 - डॉ. रिचा रिकरिता, स. प्रा. प्राणीशास्त्र
 - डॉ. प्रमिला नागवंशी, स. प्रा. समाजशास्त्र
- सभी का प्रस्तुतिकरण सराहनीय रहा।
- समिति के सभी सदस्यों द्वारा इस योजना की प्रशंसा की गई एवं इस नवीन प्रयास को शोध की दिशा में प्रगति हेतु महाविद्यालय का उत्कृष्ट कदम बताया।
- बैठक में सर्वसम्मति से निर्णय उपरोक्त उपरोक्त टीमों सहा. प्रा. को उनकी निम्न रिसर्च परियोजना हेतु महाविद्यालय द्वारा वित्तीय सहायता प्रदान करने की अनुशंसा की गई।

कुंभार

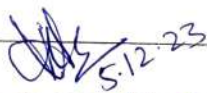
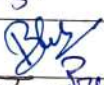

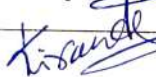
पूर्व में यह योजना दो प्रोजेक्ट की स्वीकृति हेतु
आरंभ की गई थी चूंकि चयन समिति के सभी
सदस्यों द्वारा तीनों प्रस्तुतिकरण की स्वीकृति
हेतु अभुशंसा की गई अतः तीनों प्रोजेक्ट
हेतु स्वीकृति दी जाती है


12.10.23


12.10.23

मिनी रिसर्च प्रोजेक्ट अनुदान स्वीकृति हेतु अनुशंसा दिनांक 07.10.2023 को रिसर्च एडवायजरी समिति की बैठक में डॉ. श्याम बाबू सिंह, सहायक प्राध्यापक, रसायन शास्त्र, डॉ. प्रमिला नागवंशी, सहायक प्राध्यापक, समाजशास्त्र, डॉ. नरचा टिकरिया, सहायक प्राध्यापक, प्राणी शास्त्र द्वारा मिनी रिसर्च प्रोजेक्ट का प्रस्तुतिकरण किया गया। रिसर्च एडवायजरी समिति के सभी सदस्यों के निर्णय उपरांत दिनांक 12.10.2023 को तीनों सहायक प्राध्यापकों को मिनी रिसर्च प्रोजेक्ट हेतु महाविद्यालय द्वारा वित्तीय सहायता प्रदान करने की अनुशंसा की गई। इस संदर्भ में डॉ. श्याम बाबू सिंह, डॉ. प्रमिला नागवंशी एवं डॉ. नरचा टिकरिया द्वारा मिनी रिसर्च प्रोजेक्ट की स्वीकृत राशि के प्रथम इंस्टॉलमेंट प्रदान करने हेतु आवेदन प्रस्तुत किया गया है। अतः रिसर्च एडवायजरी कमिटी स्वशासी प्रकोष्ठ द्वारा राशि प्रदान करने की अनुशंसा करती है।


समिति के सदस्य -

1. डॉ. माया शौरपुरे  5.12.23
2. डॉ. राम. बबलाल लाल 
3. डॉ. श्रीनिवाला जायसवाल 
4. डॉ. किरण देवांगन 

टीप: राशि रु. 35000/- प्रथम वित्त प्रदान करने की अनुशंसा की जाती है।

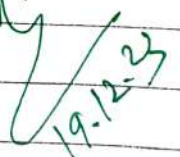


प्राचार्य



ब्रह्म जी प्रकाश जी कर्मिणा
कर्मिणा द्वारा प्रतिकार किया
जावे।

प्राचार्य


19.12.23



OFFICE OF THE PRINCIPAL

GOVT. D.B. GIRLS' P.G. COLLEGE, KALIBADI CHOWK, RAIPUR-492001 (C.G.)

Phone/Fax - 0771-2229248, Email-dbgirlsppgraiipur@gmail.com

No. 778

Date: 12.10.23

To,

✓ Dr. Richa Tikariha
Assistant Professor
Department of Zoology
Govt. D.B. Girls' P.G. College
Raipur-492001

Sub.: Financial Assistance for undertaking the Mini Research Project by Dr. Richa Tikariha, Assistant Professor, Department of Zoology, Govt. D.B. Girls' P.G. College, Raipur


The college on the recommendations of the selection committee has approved the mini research project entitled, "Effect of social media use on sleep quality and depression among the college students: A cross sectional study" by Richa Tikariha, Assistant Professor, Department of Zoology and has agreed to provide a grant of Rs. 50000=00.

Particulars	Amount (in RS.)
i. Equipments, Materials, Chemicals, glasswares etc. :	5000=00
ii. Stationary, books, reprints, printings etc. :	30000=00
iii. Expenditure for fieldwork :	15000=00
iv. Other items:	NIL
Grand total :	50000

I am directed to release the 70% of sanctioned grant i.e. Rs. 35000=00 as first installment to the Project Investigator and remaining 30% of the sanctioned grant will be released after submitting the annual and final audited statement of accounts and utilization certificate for the grant released by the college.

1. The tenure for the Mini Research Project will be one year.
2. The effective date of implementation of the project will be the date of receipt of fund by the Project Investigator.
3. On receipt of fund the Project Investigator should submit an acceptance letter to the college.
4. Suitable accommodation and other necessary facilities, equipment, etc. should be made available by the department for the research project.
5. Six monthly progress report of the work carried out is required to be submitted to the committee within 7 days time limit.
6. The college reserves the right to terminate the project if progress of the work is not found satisfactory, in the opinion of the Principal.

7. Minimum two publications of the research data of the project in UGC approved journals, by acknowledging the college is mandatory. Project completion report should be submitted along with it within one month from the date of completion of the project. If not, Project Investigator has to refund the whole grant.
8. Accounts duly supported by vouchers for the expenditure incurred should be submitted six monthly through Head of the department.
9. Procedure laid down for purchase of equipments, materials etc. by the Institution must be strictly followed. Proper record of purchase, stock entries, breakages and losses should be maintained for verification and submit the verification report to the college. On completion of the project the equipment, books and other articles purchased from project fund should be transferred to the stock register of the department.


 Dr. Kiran Gajpal
 Principal

Principal
Govt. D. B. Girl's P. G. College
Raipur (Chhattisgarh)

Copy to:

1. IQAC, Govt. D.B. Girls' P.G. College, Raipur
2. Autonomous Cell, Govt. D.B. Girls' P.G. College, Raipur
3. Convener, Research Promotion and Innovation Cell, Govt. D.B. Girls' P.G. College, Raipur
4. Registrar, Govt. D.B. Girls' P.G. College, Raipur


 Dr. Kiran Gajpal
 Principal

Principal
Govt. D. B. Girl's P. G. College
Raipur (Chhattisgarh)

Received
Mishra
12-10-23
 (Dr. Richa Tikunika)



OFFICE OF THE PRINCIPAL

GOVT. D.B. GIRLS' P.G. COLLEGE, KALIBADI CHOWK, RAIPUR-492001 (C.G.)

Phone/Fax - 0771-2229248, [Email:dbgirlsppgrairpur@gmail.com](mailto:dbgirlsppgrairpur@gmail.com)

No. 780

Date: 12.10.2023

To,
Dr. Shyam Babu Singh
Assistant Professor
Department of Chemistry
Govt. D.B. Girls' P.G. College
Raipur-492001

Sub.: Financial Assistance for undertaking the Mini Research Project by Dr. Shyam Babu Singh, Assistant Professor, Department of Chemistry, Govt. D.B. Girls' P.G. College,

The college on the recommendations of the selection committee has approved the mini research project entitled, "**PEG-400 mediated one-pot synthesis of biologically relevant thiazoles**" by Shyam Babu Singh, Assistant Professor, Department of Chemistry and has agreed to provide a grant of Rs. 50000=00.

Particulars	Amount (in RS.)
i. Equipments, Materials, Chemicals, glasswares etc. :	38000=00
ii. Stationary, books, reprints, printings etc. :	2000=00
iii. Expenditure for fieldwork :	NIL
iv. Other items (Characterization of products/compounds) :	10000=00
Grand total:	50000=00

I am directed to release the 70% of sanctioned grant i.e. Rs. 35000=00 as first installment to the Project Investigator and remaining 30% of the sanctioned grant will be released after submitting the annual and final audited statement of accounts and utilization certificate for the grant released by the college.

1. The tenure for the Mini Research Project will be one year.
2. The effective date of implementation of the project will be the date of receipt of fund by the Project Investigator.
3. On receipt of fund the Project Investigator should submit an acceptance letter to the college.
4. Suitable accommodation and other necessary facilities, equipment, etc. should be made available by the department for the research project.
5. Six monthly progress report of the work carried out is required to be submitted to the committee within 7 days time limit.
6. The college reserves the right to terminate the project if progress of the work is not found satisfactory, in the opinion of the Principal.

7. **Minimum two publications of the research data of the project in UGC approved journals, by acknowledging the college is mandatory. Project completion report should be submitted along with it within one month from the date of completion of the project. If not, Project Investigator has to refund the whole grant.**
8. Accounts duly supported by vouchers for the expenditure incurred should be submitted six monthly through Head of the department.
9. Procedure laid down for purchase of equipments, materials etc. by the Institution must be strictly followed. Proper record of purchase, stock entries, breakages and losses should be maintained for verification and submit the verification report to the college. On completion of the project the equipment, books and other articles purchased from project fund should be transferred to the stock register of the department.

Dr. Kiran Gajpal
Principal

781

12-10-23

Copy to:

1. IQAC, Govt. D.B. Girls' P.G. College, Raipur
2. Autonomous Cell, Govt. D.B. Girls' P.G. College, Raipur
3. Convener, Research Promotion and Innovation Cell, Govt. D.B. Girls' P.G. College, Raipur
4. Registrar, Govt. D.B. Girls' P.G. College, Raipur

Principal
Govt. D. B. Girl's P. G. College
Raipur (Chhattisgarh)

Dr. Kiran Gajpal
Principal

Principal
Govt. D. B. Girl's P. G. College
Raipur (Chhattisgarh)



OFFICE OF THE PRINCIPAL

GOVT. D.B. GIRLS' P.G. COLLEGE, KALIBADI CHOWK, RAIPUR-492001 (C.G.)

Phone/Fax - 0771-2229248, [Email-dbgirlspggraipur@gmail.com](mailto:dbgirlspggraipur@gmail.com)

No. 776

Date: 12.10.23

To,

✓ Dr. Pramila Nagwanshi
Assistant Professor
Department of Sociology
Govt. D.B. Girls' P.G. College
Raipur-492001

Sub.: Financial Assistance for undertaking the Mini Research Project by Dr. Pramila Nagwanshi, Assistant Professor, Department of Sociology, Govt. D.B. Girls' P.G. College, Raipur

The college on the recommendations of the selection committee has approved the mini research project entitled, "लैंगिक यौन अपराधों से बच्चों का संरक्षण अधिनियम (पॉक्सो एक्ट) 2012 का विश्लेषणात्मक अध्ययन (छ.ग. राज्य के रायपुर नगर के विशेष संदर्भ में) by Pramila Nagwanshi, Assistant Professor, Department of Sociology and has agreed to provide a grant of Rs. 50000=00.

Particulars	Amount (in RS.)
i. Equipments, Materials, Chemicals, glasswares etc. :	NIL
ii. Stationary, books, reprints, printings etc. :	30000=00
iii. Expenditure for fieldwork :	20000=00
iv. Other items:	NIL
Grand total :	50000

I am directed to release the 70% of sanctioned grant i.e. Rs. 35000=00 as first installment to the Project Investigator and remaining 30% of the sanctioned grant will be released after submitting the annual and final audited statement of accounts and utilization certificate for the grant released by the college.

1. The tenure for the Mini Research Project will be one year.
2. The effective date of implementation of the project will be the date of receipt of fund by the Project Investigator.
3. On receipt of fund the Project Investigator should submit an acceptance letter to the college.
4. Suitable accommodation and other necessary facilities, equipment, etc. should be made available by the department for the research project.

5. Six monthly progress report of the work carried out is required to be submitted to the committee within 7 days time limit.
6. The college reserves the right to terminate the project if progress of the work is not found satisfactory, in the opinion of the Principal.
7. **Minimum two publications of the research data of the project in UGC approved journals, by acknowledging the college is mandatory. Project completion report should be submitted along with it within one month from the date of completion of the project. If not, Project Investigator has to refund the whole grant.**
8. Accounts duly supported by vouchers for the expenditure incurred should be submitted six monthly through Head of the department.
9. Procedure laid down for purchase of equipments, materials etc. by the Institution must be strictly followed. Proper record of purchase, stock entries, breakages and losses should be maintained for verification and submit the verification report to the college. On completion of the project the equipment, books and other articles purchased from project fund should be transferred to the stock register of the department.


Dr. Kiran Gajpal
Principal

Principal
Govt. D. B. Girl's P. G. College
Raipur (Chhattisgarh)

Copy to:

1. IQAC, Govt. D.B. Girls' P.G. College, Raipur
2. Autonomous Cell, Govt. D.B. Girls' P.G. College, Raipur
3. Convener, Research Promotion and Innovation Cell, Govt. D.B. Girls' P.G. College, Raipur
4. Registrar, Govt. D.B. Girls' P.G. College, Raipur


Dr. Kiran Gajpal
Principal

Principal
Govt. D. B. Girl's P. G. College
Raipur (Chhattisgarh)



OFFICE OF THE PRINCIPAL
GOVT. D.B. GIRLS' P.G COLLEGE, RAIPUR (C.G.)
(AN AUTONOMOUS INSTITUTION)
www.dbgirls.org, e-mail:dbgirls@yahoo.co.in

No. 92A/2023

Raipur, Date 28-04-2023

To,

Dr. Raginee Pandey
Assistant Professor
Department of Physics
Govt. D.B. Girls' P.G. College,
Raipur (C.G.)

Sub:- Sanction of seed money allotment for promotion of research work.

On the recommendation of research promotion cell your research proposal entitled "**Design and Development of reverse absorbing solar still system**" has been approved for the grant of **Rs. 10,000=00 (Ten thousand rupees only)** as seed money for the promotion of your research work.

You may collect above amount from autonomous cell and submit audited copy of expenditure with utilization certificate after completion of the current financial year.

(Dr. Kiran Gajpal)
Principal
Govt. D.B. Girls' P.G. College,
Raipur (Chhattisgarh)

End No. 92B/2023

Date - 28-04-2023

Copy to :

- 1- Autonomous Cell.
- 2- Research promotion cell.

(Dr. Kiran Gajpal)
Principal
Govt. D.B. Girls' P.G. College,
Raipur (C.G.)
Govt. D.B. Girls' P.G. College,
Raipur (Chhattisgarh)



शासकीय दू.ब. महिला स्नातकोत्तर महाविद्यालय रायपुर (छत्तीसगढ़)
(स्वायत्तशासी संस्था)

www.dbgirls.org,

e-mail:dbgirls@yahoo.co.in

रायपुर, दिनांक 31/01/2023

कार्यवाही विवरण

महाविद्यालय स्वशासी परीक्षा प्रकोष्ठ की बेस्ट प्रैक्टिस के अंतर्गत सत्र 2022-23 में सीड मनी (10,000/- रु. मात्र) हेतु प्रोजेक्ट प्रस्ताव आमंत्रित किये गये थे। जिसके अंतर्गत केवल एक प्रस्ताव डॉ. रागिनी पाण्डेय, सहायक प्राध्यापक, भौतिकशास्त्र विभाग द्वारा प्राप्त हुआ।

प्रस्ताव के परीक्षण उपरांत समिति डॉ. रागिनी पाण्डेय के प्रोजेक्ट प्रस्ताव को सर्वसम्मति से अनुमोदित करने की अनुशंसा करता है।

समिति के सदस्य -

1. डॉ. माया शोदपुरे

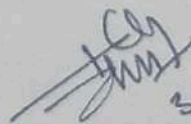
2. डॉ. शिप्रा बैनर्जी

3. डॉ. के.के. हैरिस

Paid Rs 10,000/-
on 09.05.2023

शासकीय दू.ब.महिला स्नातकोत्तर महाविद्यालय, रायपुर (छ.ग.)
GOVT. D.B. GIRLS' P.G. COLLEGE, RAIPUR (C.G.)

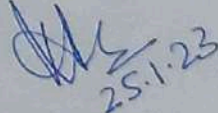
EVALUATION REPORT FOR SEED MONEY FOR RESEARCH PROMOTION

1	Name of the Principal Investigator	:	Dr. Raginee Pandey
2	Designation	:	Asst. Prof. Physics
3	Institution	:	GOVT' DB Girls' PG college, Raipur
4	Title of Mini Research Project	:	Design & development - - - - - - - - - - solar dist. system.
5	Discipline	:	Physical Sciences
6	Revision made appropriate as per given suggestion (Yes/No)		NOT APPLICABLE
7	Recommendation (Please indicate Recommended including duration and budget), or not recommended. Translational significance / possibility of the research be clearly explained for making assessment.	:	RECOMMENDED
8	Brief Comments regarding point no. 7 alongwith Budget justification	:	The project aims to improve the efficiency of solar distillation in order to generate a cost effective source of pure water.
			Signature  30.01.2023
			Date: 30.01.2023
	Name	:	K.K. HARRIS
	Designation	:	Asst. Professor (ZOOLOGY)
	Address	:	GOVT' DB Girls' PG college, Raipur. C.G.



शासकीय दू.ब.महिला स्नातकोत्तर महाविद्यालय, रायपुर (छ.ग.)
GOVT. D.B. GIRLS' P.G. COLLEGE, RAIPUR (C.G.)

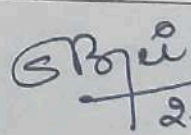
EVALUATION REPORT FOR SEED MONEY FOR RESEARCH PROMOTION

1	Name of the Principal Investigator	:	Dr. Raginee Pandey
2	Designation	:	Asst. Prof., Physics
3	Institution	:	Govt. D.B. Girls' P.G. College, Raipur.
4	Title of Mini Research Project	:	Design and development of reverse absorber ---- system.
5	Discipline	:	Physical Science
6	Revision made appropriate as per given suggestion (Yes/No)		-
7	Recommendation (Please indicate Recommended including duration and budget), or not recommended . Translational significance / possibility of the research be clearly explained for making assessment.	:	Recommended
8	Brief Comments regarding point no. 7 alongwith Budget justification	:	Proposed project is useful in contribution towards use of alternative sources of energy
		Signature	 25.1.23
		Date:	25.01.23
	Name	:	Dr. Maya Shedpue
	Designation	:	Professor in Zoology
	Address	:	Govt. D.B. Girls' P.G. College, Raipur



शासकीय दू.ब.महिला स्नातकोत्तर महाविद्यालय, रायपुर (छ.ग.)
GOVT. D.B. GIRLS' P.G. COLLEGE, RAIPUR (C.G.)

EVALUATION REPORT FOR SEED MONEY FOR RESEARCH PROMOTION

1	Name of the Principal Investigator	:	DR. RAGINEE PANDEY
2	Designation	:	ASSISTANT PROF., PHYSICS
3	Institution	:	GOVT. D.B. GIRLS' PG COLLEGE RAIPUR
4	Title of Mini Research Project	:	Design and development of reverse - - - - - system.
5	Discipline	:	Physical science
6	Revision made appropriate as per given suggestion (Yes/No)		-
7	Recommendation (Please indicate Recommended including duration and budget), or not recommended. Translational significance / possibility of the research be clearly explained for making assessment.	:	Recommended
8	Brief Comments regarding point no. 7 alongwith Budget justification	:	Proposed project is useful in contribution towards use of alterna- -tive sources of energy
		Signature	 25/01/2023
		Date:	25.01.2023
Name	:	Dr. Shilpa Banerjee	
Designation	:	Assistant Professor	
Address	:	Govt. D.B. Girls' PG college, Raipur	

बैठक

आज दिनांक 07.10.23 रा.पहर 03:00 बजे महाविद्यालय
कांफ्रेंस हॉल में रिसर्च रुडवायजरी समिति की
बैठक आयोजित की गई। जिसमें निम्न सदस्य
उपस्थित रहे

Dr. Kiran Gajpal, Chairperson, Principal

Dr. Amitabh Banerjee, Principal, Govt Coll. Ex. Mem.

Dr. Namita Bhambe, Professor, Pt. R.S.U. Ex. Mem.

Dr. L.S. Gajpal, Professor, Pt. R.S.U. Sub. Exp.

Dr. Asti Parganika, Professor, Pt. R.S.U. Sub. Exp.

Dr. Kavita Tapadia, Asso. Prof., NIT, Sub. Exp.

7-10-23

7-10-23

7-10-23

7-10-23

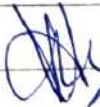
7-10-23


7-10-23

- महाविद्यालय द्वारा नवाचार के रूप में उत्तरांश की गई रिसर्च परियोजना पर प्राचार्य महोदय द्वारा जानकारी दी गई।
- समिति के समस्त निम्न प्रोजेक्टर इन्वेस्टिगेटर ने अपनी श्रेष्ठ परियोजना का प्रस्तुतिकरण किया।
 - डॉ. श्यामबाबू सिंह, स. प्रा०, रसायन शास्त्र
 - डॉ. रिचा रिकरिता, स. प्रा०, प्राणीशास्त्र
 - डॉ. प्रमिला नागवंशी, स. प्रा०, समाजशास्त्र
- सभी का प्रस्तुतिकरण सराहनीय रहा।
- समिति के सभी सदस्यों द्वारा इस योजना की प्रशंसा की गई एवं इस नवीन प्रयास को श्रेष्ठ की दिशा में प्रगति हेतु महाविद्यालय का उत्कृष्ट कदम बताया।
- बैठक में सर्वसम्मति से निर्णय उपरोक्त उपरोक्त तीनों सहा. प्रा० को उनकी निम्न रिसर्च परियोजना हेतु महाविद्यालय द्वारा वित्तीय सहायता प्रदान करने की अनुशंसा की गई।

कुंभार :





पूर्व में यह योजना दो प्रोजेक्ट की स्वीकृति हेतु
आरंभ की गई थी चूंकि चयन समिति के सभी
सदस्यों द्वारा तीनों प्रस्तुतिकरण की स्वीकृति
हेतु अभुशंसा की गई अतः तीनों प्रोजेक्ट
हेतु स्वीकृति दी जाती है


12.10.23


12.10.23

मिनी रिसर्च प्रोजेक्ट अनुदान स्वीकृति हेतु अनुशंसा दिनांक 07.10.2023 को रिसर्च एडवायजरी समिति की बैठक में डॉ. श्याम बाबू सिंह, सहायक प्राध्यापक, रसायन शास्त्र, डॉ. प्रमिला नागवंशी, सहायक प्राध्यापक, समाजशास्त्र, डॉ. नरचा टिकरिया, सहायक प्राध्यापक, प्राणी शास्त्र द्वारा मिनी रिसर्च प्रोजेक्ट का प्रस्तुतिकरण किया गया। रिसर्च एडवायजरी समिति के सभी सदस्यों के निर्णय उपरांत दिनांक 12.10.2023 को तीनों सहायक प्राध्यापकों को मिनी रिसर्च प्रोजेक्ट हेतु महाविद्यालय द्वारा वित्तीय सहायता प्रदान करने की अनुशंसा की गई। इस संदर्भ में डॉ. श्याम बाबू सिंह, डॉ. प्रमिला नागवंशी एवं डॉ. नरचा टिकरिया द्वारा मिनी रिसर्च प्रोजेक्ट की स्वीकृत राशि के प्रथम इंस्टॉलमेंट प्रदान करने हेतु आवेदन प्रस्तुत किया गया है। अतः रिसर्च एडवायजरी कमिटी स्वशासी प्रकोष्ठ द्वारा राशि प्रदान करने की अनुशंसा करती है।

समिति के सदस्य -

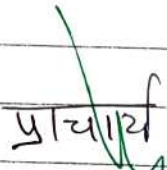
1. डॉ. माया शौरपुरे  5.12.23
2. डॉ. राम. बबलु लाल 
3. डॉ. श्रीनिवाला जायसवाल 
4. डॉ. किरण देवांगन 

टीप: राशि रु. 35000/- प्रथम वित्त प्रदान करने की अनुशंसा की जाती है।



प्राचार्य

ब्रह्म जी प्रकाश जी कर्मिणा
कर्मिणा द्वारा प्रतिकार किया प्राचार्य
जाने।


19.12.23



Intellectual
Property
Office

Certificate of Registration for a UK Design

Design number: 6282272

Grant date: 26 May 2023

Registration date: 12 May 2023

This is to certify that,

in pursuance of and subject to the provision of Registered Designs Act 1949, the design of which a representation or specimen is attached, had been registered as of the date of registration shown above in the name of

S Rehan Ahmad, Ushakiran Agrawal

in respect of the application of such design to:

IOT-BASED SMART HEALTH MONITORING AND SECURITY SYSTEM FOR
MEDICINAL PLANTS

International Design Classification:

Version: 14-2023

Class: 10 CLOCKS AND WATCHES AND OTHER MEASURING
INSTRUMENTS, CHECKING AND SIGNALLING INSTRUMENTS

Subclass: 05 INSTRUMENTS, APPARATUS AND DEVICES FOR CHECKING,
SECURITY OR TESTING

Version: 14-2023

Class: 16 PHOTOGRAPHIC, CINEMATOGRAPHIC AND OPTICAL
APPARATUS

Subclass: 01 PHOTOGRAPHIC CAMERAS AND FILM CAMERAS

Version: 14-2023

Class: 24 MEDICAL AND LABORATORY EQUIPMENT

Subclass: 02 MEDICAL INSTRUMENTS, INSTRUMENTS AND TOOLS FOR
LABORATORY USE

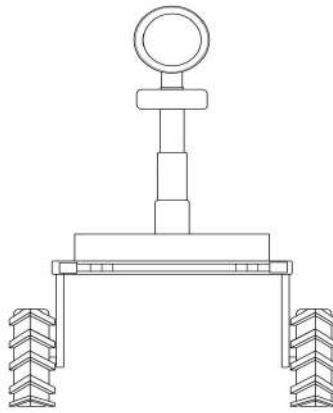
Adam Williams

Comptroller-General of Patents, Designs and Trade Marks
Intellectual Property Office

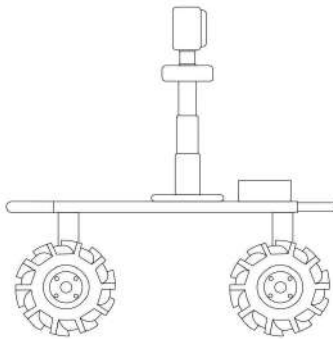
The attention of the Proprietor(s) is drawn to the important notes overleaf.



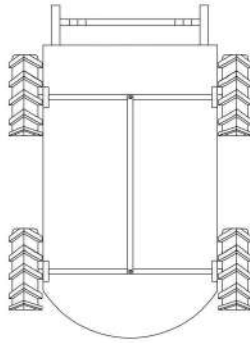
Representation of Designs



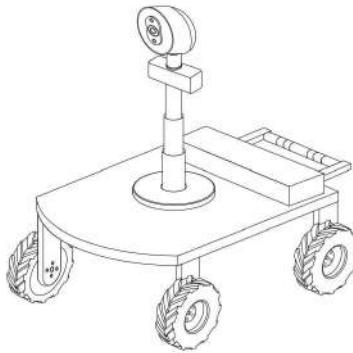
BACK VIEW



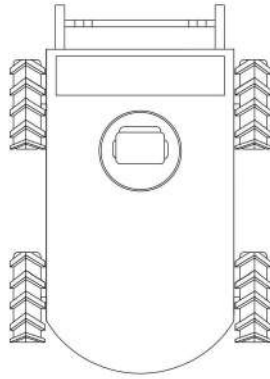
LEFT SIDE VIEW



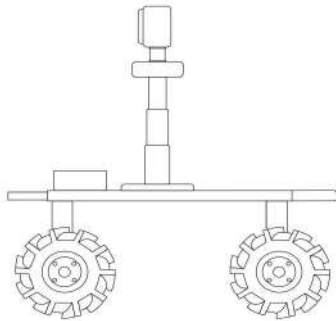
BOTTOM VIEW



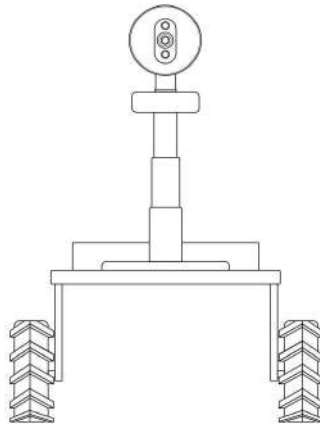
PERSPECTIVE VIEW



TOP VIEW



RIGHT SIDE VIEW



FRONT VIEW

Intellectual Property Office is an operating name of the Patent Office

www.gov.uk/ipo

Urkunde

über die Eintragung des
Gebrauchsmusters Nr. 20 2023 100 909

Bezeichnung:

Ein System zur Ermittlung der Fluoridkonzentration in den verschiedenen
Wasserquellen

IPC:

G01N 33/18

Inhaber/Inhaberin:

Joglekar, Abhaya Ramdas, Dr., Raipur, Chhattisgarh, IN
Mishra, Aakansha, Jabalpur, Madhya Pradesh, IN

Tag der Anmeldung:

25.02.2023

Tag der Eintragung:

09.03.2023

Die Präsidentin des Deutschen Patent- und Markenamts



Eva Schewior
München, 09.03.2023



Die Voraussetzungen der Schutzfähigkeit werden bei der Eintragung eines Gebrauchsmusters nicht geprüft.
Den aktuellen Rechtsstand und Schutzzumfang entnehmen Sie bitte dem DPMA-Register unter www.dpma.de.

REPUBLIC OF SOUTH AFRICA



REPUBLIEK VAN SUID AFRIKA

PATENTS ACT, 1978

CERTIFICATE

in accordance with section 44 (1) of the Patents Act, No. 57 of 1978, it is hereby certified that:


DR. ABHAYA R. JOGLEKAR; DR. SARITA DUBEY; VIDEH NANDINI; PRATIBHA PRADHAN; POONAM PRADHAN; VARSHA HIRWANI

Has been granted a patent in respect of an invention described and claimed in complete specification deposited at the Patent Office under the number

2023/01492

A copy of the complete specification is annexed, together with the relevant Form P2.

In testimony whereof, the seal of the Patent Office has been affixed at Pretoria with effect from the 31st day of **May 2023**


.....
Registrar of Patents



ORIGINAL

मूल/No : 137661



भारत सरकार
GOVERNMENT OF INDIA
पेटेंट कार्यालय
THE PATENT OFFICE

डिजाइन के पंजीकरण का प्रमाणपत्र
CERTIFICATE OF REGISTRATION OF DESIGN

डिजाइन सं. / Design No.	:	381454-001
तारीख / Date	:	14/03/2023
पारस्परिकता तारीख / Reciprocity Date*	:	
देश / Country	:	

प्रमाणित किया जाता है कि संलग्न प्रति में वर्णित डिजाइन जो **DEVICE FOR DETECTING OXIDATIVE VALUES OF FRUITS AND VEGETABLES** से संबंधित है, का पंजीकरण, श्रेणी 10-05 में 1. Dr. S Rehan Ahmad 2. Prof. Dr. Ushakiran Agrawal के नाम में उपर्युक्त संख्या और तारीख में कर लिया गया है।

Certified that the design of which a copy is annexed hereto has been registered as of the number and date given above in class 10-05 in respect of the application of such design to **DEVICE FOR DETECTING OXIDATIVE VALUES OF FRUITS AND VEGETABLES** in the name of 1. Dr. S Rehan Ahmad 2. Prof. Dr. Ushakiran Agrawal.

डिजाइन अधिनियम, 2000 तथा डिजाइन नियम, 2001 के अधीन प्रवधानों के अनुसरण में।

In pursuance of and subject to the provisions of the Designs Act, 2000 and the Designs Rules, 2001



निष्काश की तारीख/Date of Issue 24/05/2023

Controller General of Patents, Designs and Trade Marks

पारस्परिकता तारीख (यदि कोई हो) किसी अनुसंधान देश के नाम पर की गई है। डिजाइन का सर्वाधिकार पंजीकरण की तारीख से एक वर्ष के लिए एक निरंतर निरंतर अधिकार पर स्थान के विचारों के अधीन, तीन वर्ष की अवधि के लिए विद्यमान रहेगा। इस अवधि पर का उचित विचार संशोधनों और सेवा के उद्देश्य के लिए कर के लिए नहीं की जायेगी है।
*The reciprocity date (if any) which has been allowed and the name of the country's Copyright in the design will subject for one year from the date of registration, and may under the terms of the Act and Rules, be extended for a further period of two years. The certificate is not to use in legal proceedings or for obtaining registration abroad.

3

€ 4500
€ 1650
€ 1

Urkunde

über die Eintragung des
Gebrauchsmusters Nr. 20 2023 101 036

Bezeichnung:
Ein System zum Screening der antibakteriellen Aktivität von *Alstonia Scholaris*
gegen humanpathogene Bakterien

IPC:
C12Q 1/18

Inhaber/Inhaberin:
Khatun, Shabnam, Dr., Mahasamund, Chhattisgarh, IN
Saluja, Prakash Kaur, Dr., Raipur, Chhattisgarh, IN

Tag der Anmeldung:
06.03.2023

Tag der Eintragung:
17.03.2023

Die Präsidentin des Deutschen Patent- und Markenamts



Eva Schewior
München, 17.03.2023



Die Voraussetzungen der Schutzfähigkeit werden bei der Eintragung eines Gebrauchsmusters nicht geprüft.
Über aktuellen Rechtsstand und Schutzumfang erheben Sie bitte beim DPMA-Anwalt unter www.dpma.de

Urkunde

über die Eintragung des
Gebrauchsmusters Nr. 20 2023 100 909

Bezeichnung:

Ein System zur Ermittlung der Fluoridkonzentration in den verschiedenen
Wasserquellen

IPC:

G01N 33/18

Inhaber/Inhaberin:

Joglekar, Abhaya Ramdas, Dr., Raipur, Chhattisgarh, IN
Mishra, Aakansha, Jabalpur, Madhya Pradesh, IN

Tag der Anmeldung:

25.02.2023

Tag der Eintragung:

09.03.2023

Die Präsidentin des Deutschen Patent- und Markenamts



Eva Schewior
München, 09.03.2023



Die Voraussetzungen der Schutzfähigkeit werden bei der Eintragung eines Gebrauchsmusters nicht geprüft.
Den aktuellen Rechtsstand und Schutzzumfang entnehmen Sie bitte dem DPMAregister unter www.dpma.de